

OPTICAL TRANSMISSION MEASURING SYSTEM FOR MICRO-MILLING MACHINES

The Mida **OP32** optical transmission touch probe is available in two versions: **OP32** and **OP32E**, and is designed for use in small and medium sized machining centres and milling machines.

Both versions integrate probe and transmitter modules in a single compact device that transmits touch data to the CNC via a receiver and interface.

The **OP32E** "Endurance" version employs high capacity batteries for increased standby and operation times. Also, the small exposed surface area of glass makes the probe suitable for use in particularly harsh environments.

The ultra-compact **OP32** version is designed for use in environments where overall length is especially critical.

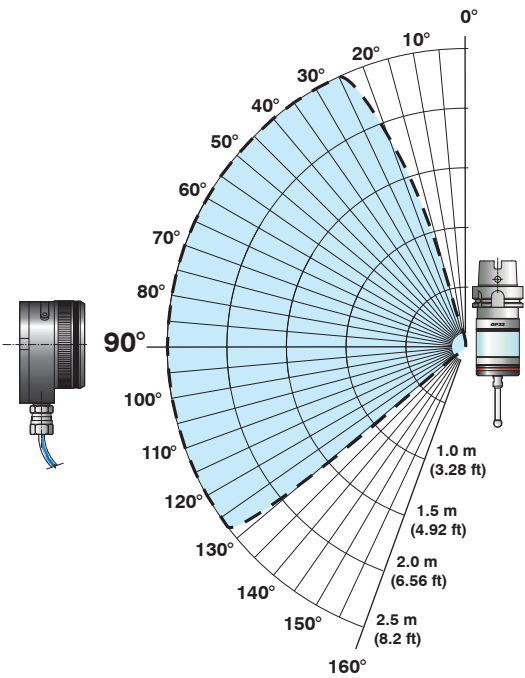
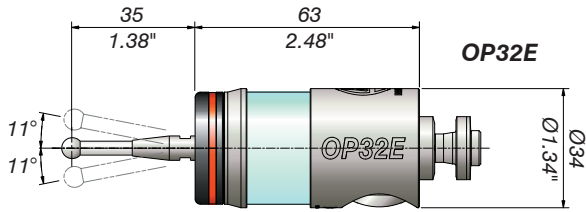
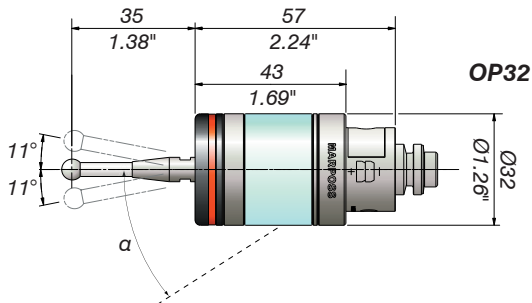
Comprehensive software packages are available for part set-up and part inspection on most common CNC's, so the **OP32** is easily retrofitted to existing machines.

Just like all Marposs part probing and tool setting solutions, the **OP32** system guarantees accurate results even under the most extreme working conditions.

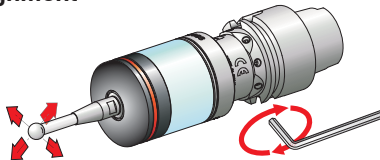
Advantages

- Suitable for use on small scale machines
- Ideal for high yield, automatic production cycles
- Compact size
- 360° transmission field (activation/deactivation)
- Long battery life
- Wide transmission angle
- High resistance to coolant and chips
- Wide range of shanks with XY adjustment

Specifications and dimensions



Stylus alignment



Technical specifications

| | OP32 | OP32E |
|---|---|---|
| TRANSMISSION DISTANCE <i>with 1 receiver</i> | 2 m [6.56 ft] | |
| TRANSMISSION ACTIVATION/DEACTIVATION | Optical (machine M code) | |
| TRANSMISSION OPTICAL AXIS ANGLE α | 90° | |
| X/Y ADJUSTMENT | On shank by 4 M3 screws | On shank by 4 M4 screws |
| TEMPERATURE RANGE | Operation: 0 ÷ 55 °C [32 ÷ 131 °F] | Storage: -10 ÷ 70 °C [14 ÷ 158 °F] |
| REPEATABILITY (2 σ)* | 1 μ m [0.00004"] | |
| MEASURING FORCES* | X - Y: 0,5-0,95 N Z: 4,5 N | |
| OVERTRAVEL* | X - Y: 8 mm [0.31"] Z: 3,5 mm [0.14"] | |
| WEIGHT | 107 gr | 216 gr |
| PROTECTION DEGREE (IEC 60529) | IP68 | |
| BATTERIES | Two "button" type batteries: SR44 D357H | 1/2 AA lithium thionile battery: LS14250 SL-750/S |
| BATTERIES LIFE | Continuous running time: 90 hours Stand-by: 400 days | Continuous running time: 400 hours Stand-by: 1800 days |

* = data refer to a standard 35 mm stylus

System codes

| | OP32 | OP32E |
|---|-------------------------------|----------------------|
| PROBE | 3427885001 | 3427885105 |
| RECEIVER | 6871830000 | |
| INTERFACE | 8304850028 | |
| SHANKS <i>Other shank types are available upon request</i> | 2027885010 - HSK25E | 2027885050 - HSK40A |
| | 2027885011 - BT30 | 2027885051 - HSK50A |
| | 2027885012 - BT40 | 2027885074 - HSK63A |
| | 2027885013 - ISO30 | 2027885075 - HSK100A |
| | 2027885014 - HSK32A | 2027885059 - ISO40 |
| | 2027885015 - HSK32E | 2027885060 - ISO50 |
| | 2027885016 - HSK40A | 2027885061 - BT30 |
| | | 2027885062 - BT40 |
| | | 2027885063 - BT50 |
| ACCESSORIES | 6134232000 (Receiver support) | |

For a full list of address locations, please consult the Marposs official website

D6C03700G0 - Edition 11/2012 - Specifications are subject to modifications
© Copyright 2006-2012 MARPOSS S.p.A. (Italy) - All rights reserved.

MARPOSS, ® and Marposs product names/signs mentioned or shown herein are registered trademarks or trademarks of Marposs in the United States and other countries. The rights, if any, of third parties on trademarks or registered trademarks mentioned in the present publication are acknowledged to the respective owners.

Marposs has an integrated system to manage the Company quality, the environment and safety, attested by ISO 9001, ISO 14001 and OHSAS 18001 certifications. Marposs has further been qualified EAQF 94 and has obtained the Q1-Award.



www.marposs.com



Download the latest version of this document

